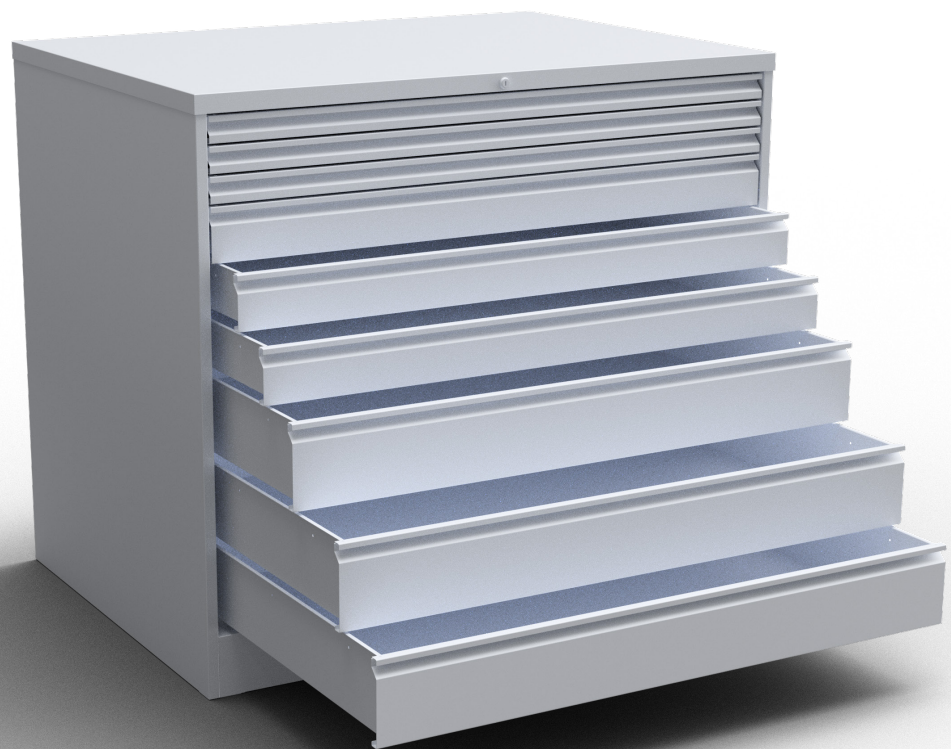


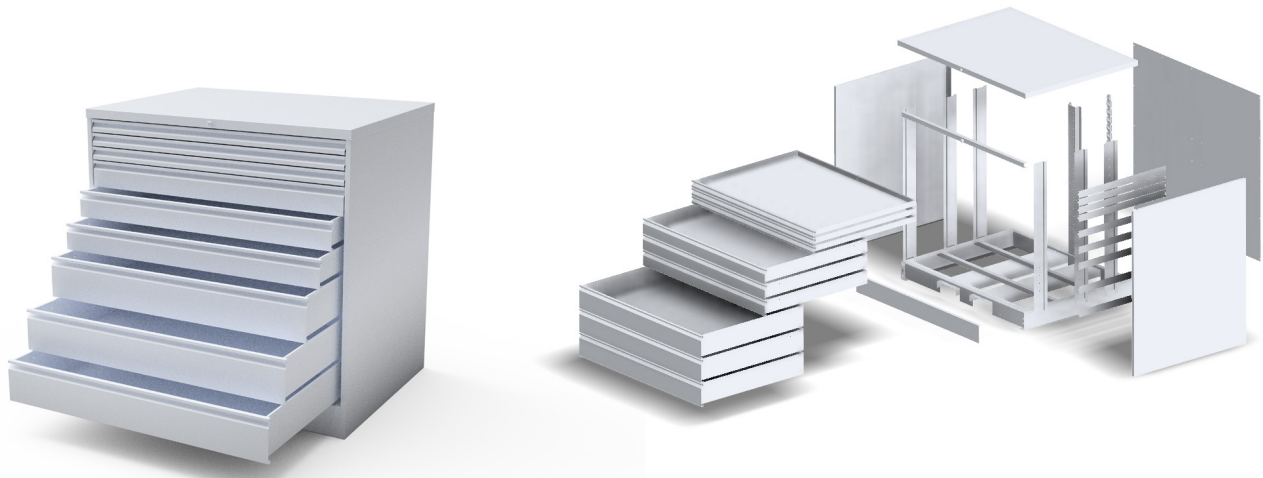
Sysco[®] 565 Drawer cabinet

Technical Datasheet



Version: 1.0
Product: Sysco 565 Drawer cabinet
Year: 2023
Completed by: JB

Museum-quality storage solution



Description

The Sysco stand-alone drawer cabinet, also known as the 565-series drawer cabinet is a museum-quality storage solution designed for standardized, large format items. The cabinet features telescopic slides, interlock systems and a center lock for added security.

- Customizable drawer layout: Configure our drawer cabinets with more than 100+ possible variations.
- Integrated interlock system: Our drawer cabinets do have an anti-tilt security interlock system as a standard.
- Easy to move: The base of our drawer cabinets have cut-outs to facilitate easy movement with a pallet cart.
- Edge free interior: The inside of our drawer cabinets are smooth and don't have any sharp edges; always protecting your precious belongings.
- Stackable: Our drawer cabinets are stackable, meaning you can save space by stacking multiple cabinets.
- Drawers standard equipped with telescopic slides
- Maximum load: 30 kg per drawer
- Drawer extension up to 89%

Table of contents

1	Colour	2	5	Anti-tilt interlock	4
2	Housing	3	6	Central lock	4
3	Drawers	3	7	Variant overview	5
4	Telescopic slide	4			

1 Colour



RAL 9002
Grey White



Download our colour chart to
discover all options

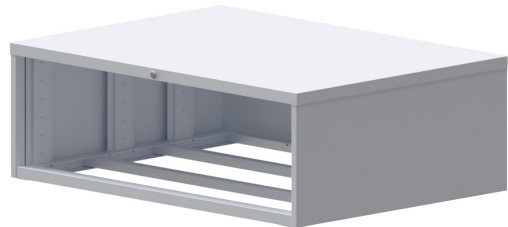
2 Housing

Base cabinet



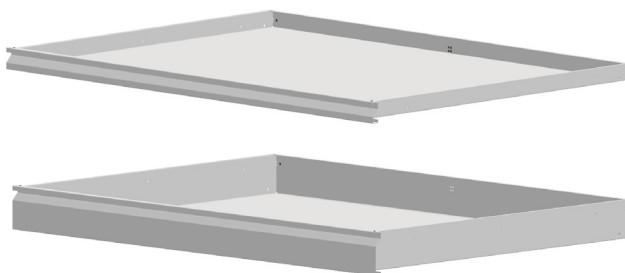
Depth x Width(mm)	<ul style="list-style-type: none"> A1: 720x964 A0: 970x1314 A0+: 1040x1414
Height (mm)	<ul style="list-style-type: none"> 524 902 1262
Material	Steel - Fe P01 Am (EN10130) <ul style="list-style-type: none"> Reinforcement - 1,25 / 1,5 / 2 mm Shell - 0,9 mm
Surface treatment	Powder coated

Top cabinet

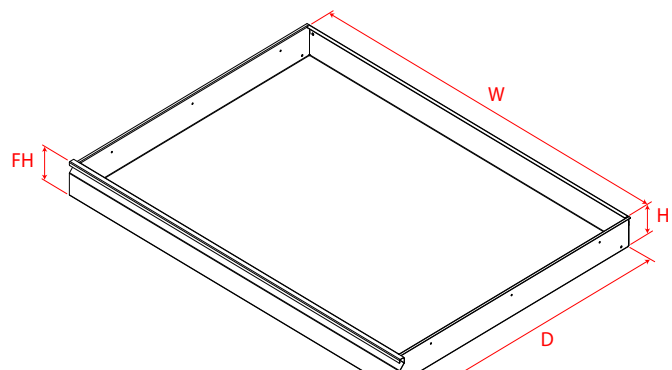
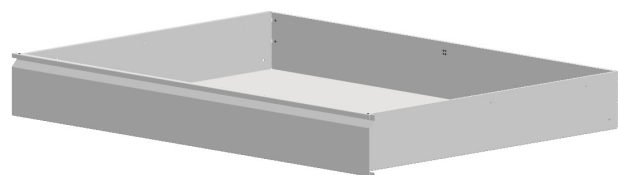


Depth x Width(mm)	<ul style="list-style-type: none"> A1: 720x964 A0: 910x1314 A0+: 1040x1414
Height (mm)	<ul style="list-style-type: none"> 447
Material	Steel - Fe P01 Am (EN10130) <ul style="list-style-type: none"> Reinforcement - 1,25 / 1,5 / 2 mm Shell - 0,9 mm
Surface treatment	Powder coated

3 Drawers



Inside Depth x Width (mm)	<ul style="list-style-type: none"> A1: 605x853 mm A0: 855x1203 mm A0+: 925x1303 mm
Inside Height (mm)	<ul style="list-style-type: none"> 42 102 162
Front Height (mm)	<ul style="list-style-type: none"> 55 115 175
Material	Steel - Fe P01 Am (EN10130) <ul style="list-style-type: none"> 1,25 mm
Surface treatment	<ul style="list-style-type: none"> Powder coated



4 Telescopic slide



Depth (mm)	12.7
Length (mm)	<ul style="list-style-type: none">• A1: 550• A0 / A0+: 800
Height (mm)	51
Extension drawer	<ul style="list-style-type: none">• A1: 86%• A0: 89%• A0+: 83%
Material	Cold-rolled, low carbon and high yield strength steel acc to EN-10268 and EN-10139

5 Anti-tilt interlock



The Anti-tilt interlock module has been designed with a strong shape using a steel hook system, able to resist a force of up to 180kg ensuring the security of the drawer contents.

6 Central lock



The 75300 central locking system is used in conjunction with a locking bar, providing a centralised locking source for all drawers on the cabinet.

CREATING SPACE for a healthy planet

Headquarters

Industrieterrein 7
Postbus 7118
5980 AC Panningen

Tel.: +31 (0)77 306 90 00
Fax: +31 (0)77 307 81 33

info@bruynzeel.org

www.bruynzeel-storage.com/global/contact